

Screw Air-Ends and Recieproating Bare Pumps



ARNIKA
—COMPANY—

Fini
COMPRESSORS

FSN
ORIGINAL SPARE PARTS

TRYCOMP[®]
Heavy Duty

 **shamal**



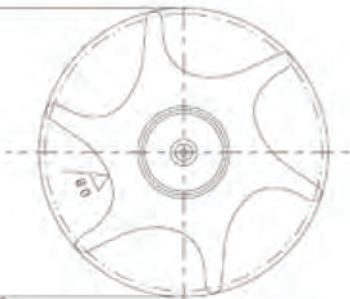
We have been manufacturing screw air-ends and all main components for the industrial compressors industry for more than 20 years, gradually becoming a leading manufacturer in the global market.

In the last few years, we have invested significant amount of energy and effort in innovation and technological product development, with the aim to ensure the highest quality standards, maximum reliability and flexibility in terms of use.

The various screw air-ends models and a full series of components such as intake and multi-block regulators

(a system including minimum pressure valve, oil filter nipple and separator filter nipple) have allowed to distinguish our company as a world leader in this field and to become a benchmark brand in the industrial compressed air industry.





The constant pursuit of first-class quality, an innovative spirit and a special focus on our customers' needs have always been our core values.

ARNIKA
— COMPANY —

FSN
ORIGINAL SPARE PARTS

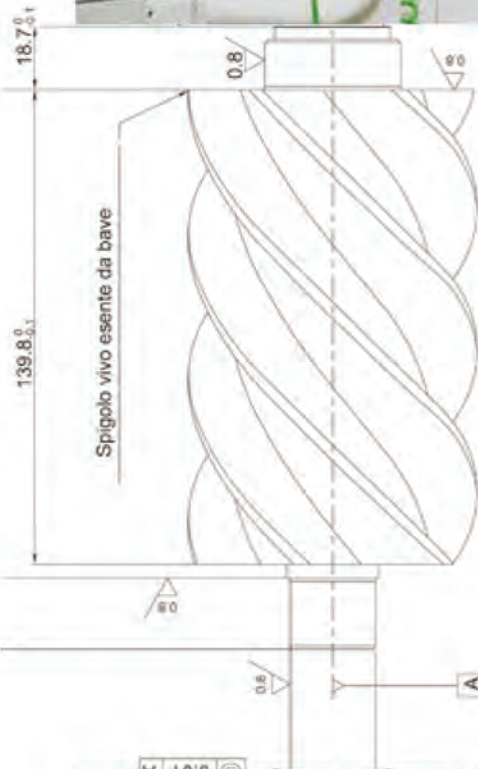
Fini
COMPRESSORS

shamal

TRYCOMP
Heavy Duty

The entire manufacturing process is carried out in our Italian plant, in accordance with Quality Management System certified in compliance with ISO 9001 certified since 1996.

Assembly operations and testing conducted on automated lines, state of the art robotic systems, IT tools for design and control, cutting-edge machine tools and sophisticated control instrumentation guarantee the highest level of quality at every stage of production, from design to assembly.



Our screw units stand out for their particular rotors profile and optimized performance. The unique design of the screw units ensures their operation regardless of whether the rotor is male or female. This particular feature makes it possible to satisfy the needs of any project both in terms of performance and traction with electric or internal combustion engines, in order to maximize performance and reduce energy consumption.

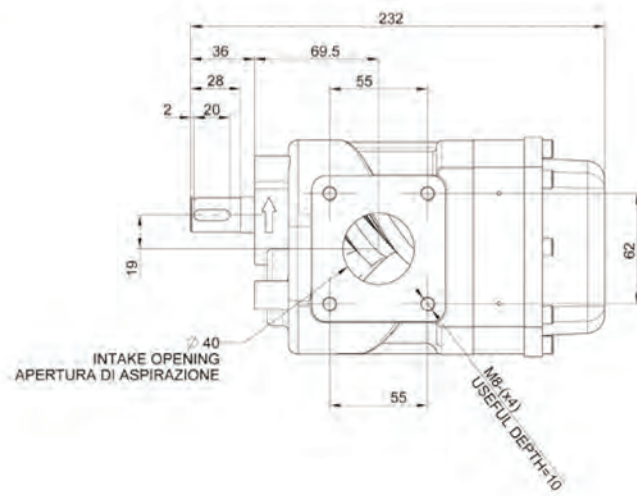
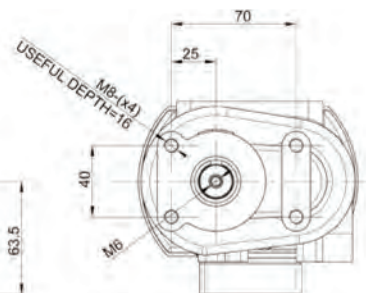
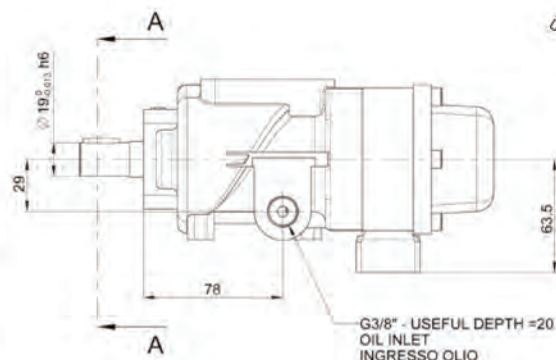
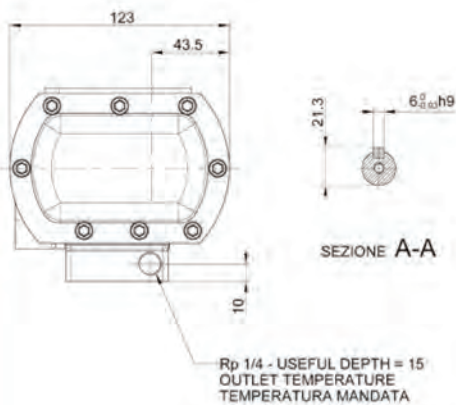
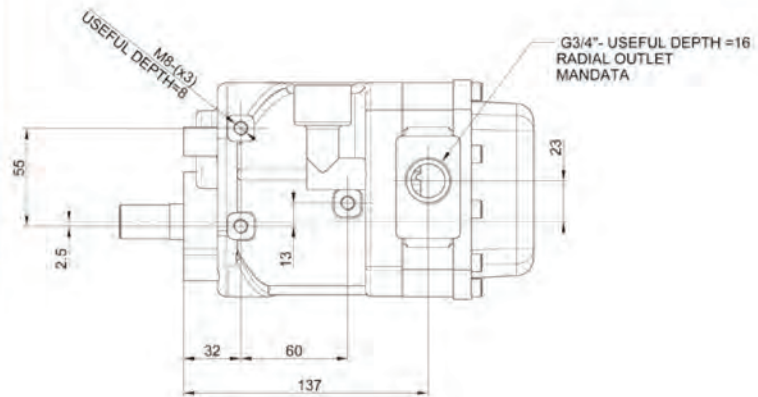
A solid modeling CAD system optimizes the arrangement of components and evaluates its resistance. The cutting of each single rotor is carried out in four precise machining phases allowing to achieve high execution precision and repeatability. This level of constructive accuracy ensures the undifferentiated coupling of each male rotor with any female rotor.

All parts are 100% tested before being placed on the market. The screw units, in particular, are individually tested after assembly and then again when installed on the complete machine. The performance of each element is registered and can be fully traced.

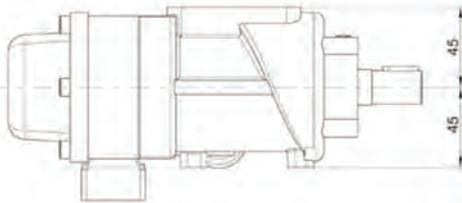
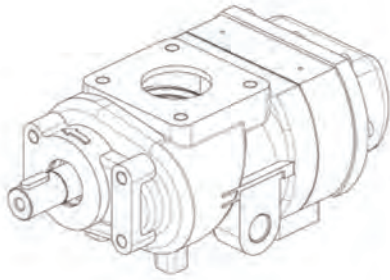


FS 14

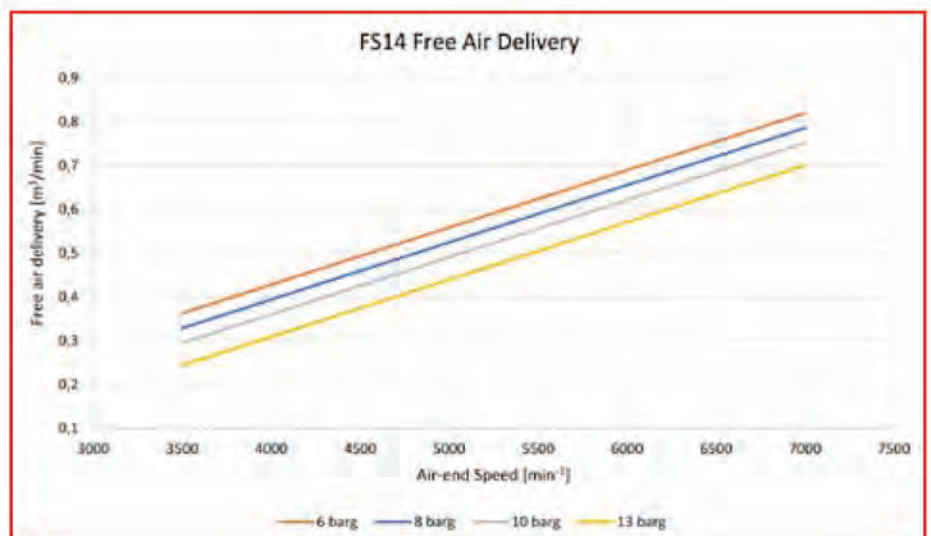
Air-end for direct coupling or belt-driven.



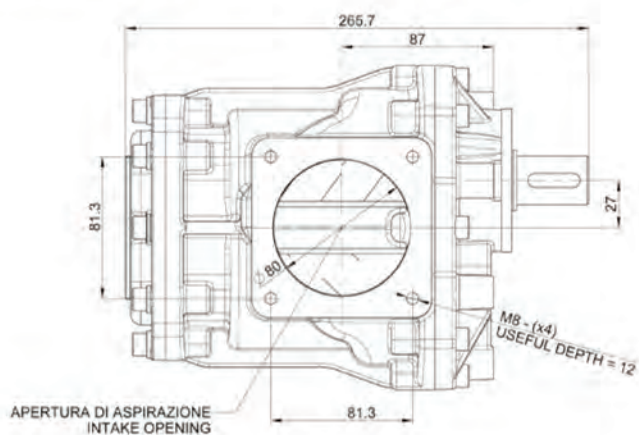
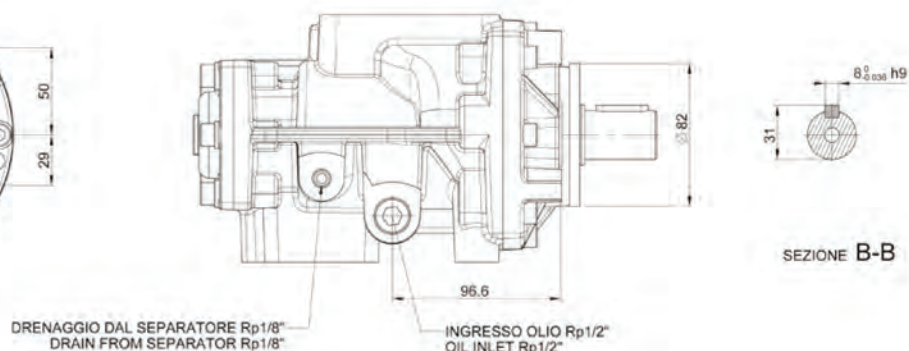
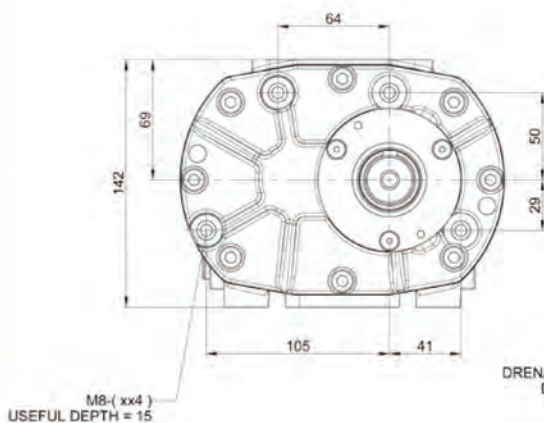
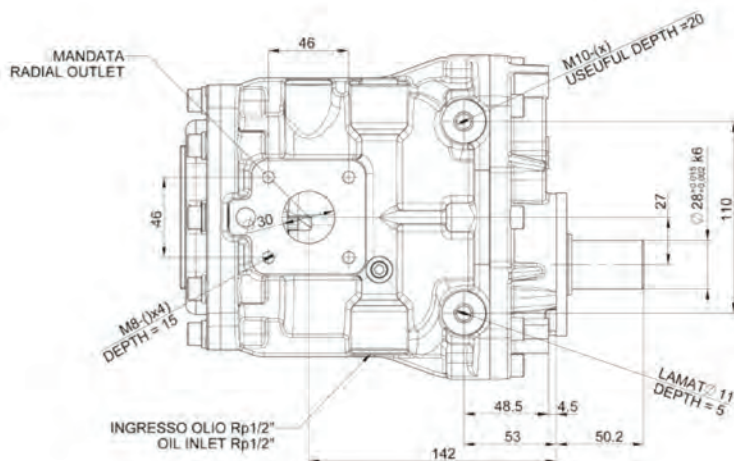
FS 14



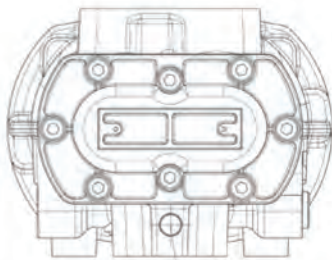
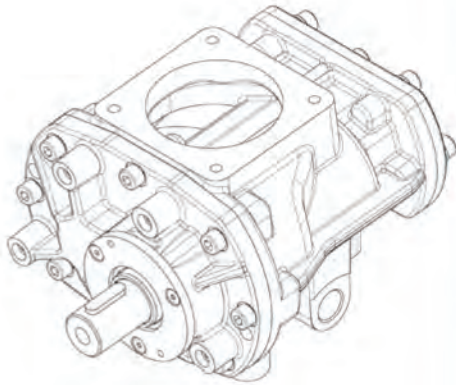
Code (1 pc)	#5305100110
Code (24 pcs)	#5305100120
Power range	2.2 - 5.5 kW
Rotor speed	2,600 - 6,800 r.p.m. (min. - max.)
Max. pressure	15 bar
Net Weight	7.2 kg



Air-end for direct coupling or belt-driven.

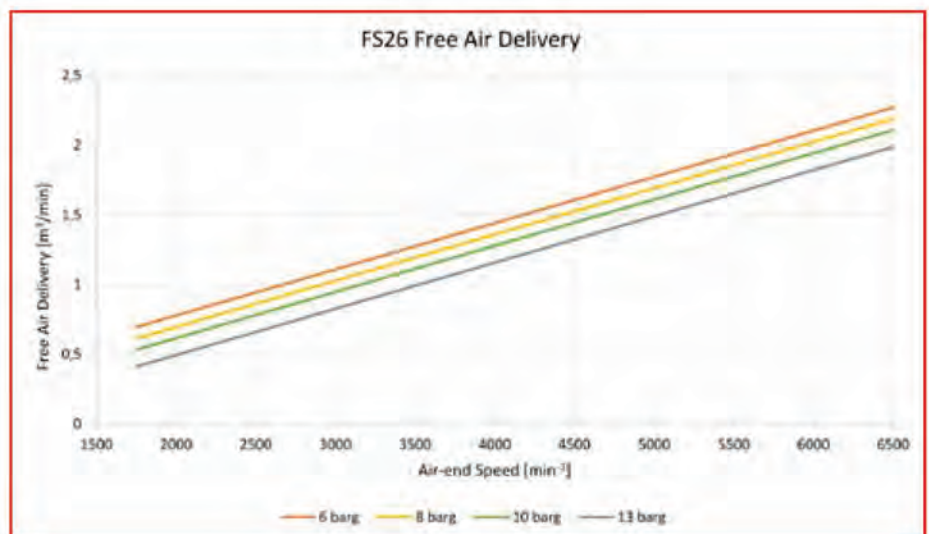
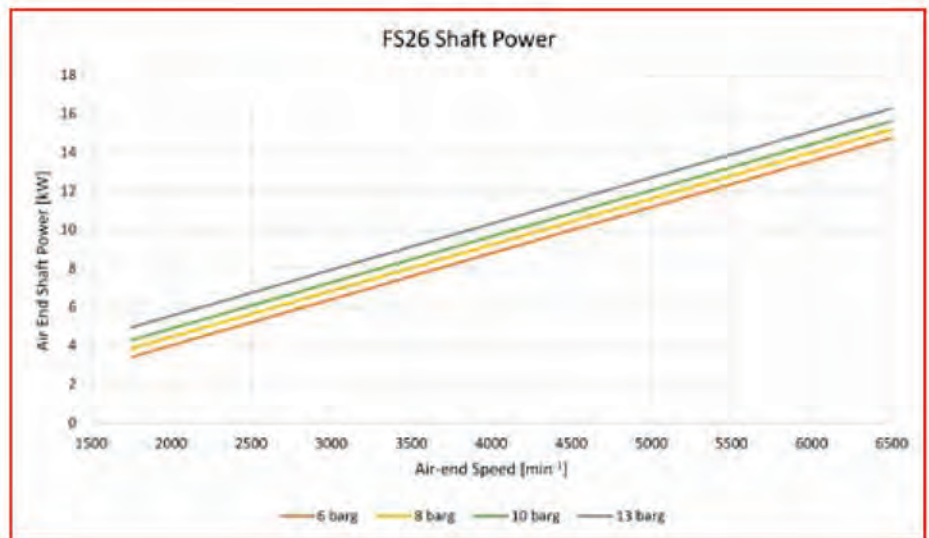


FS 26 TF



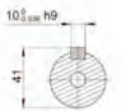
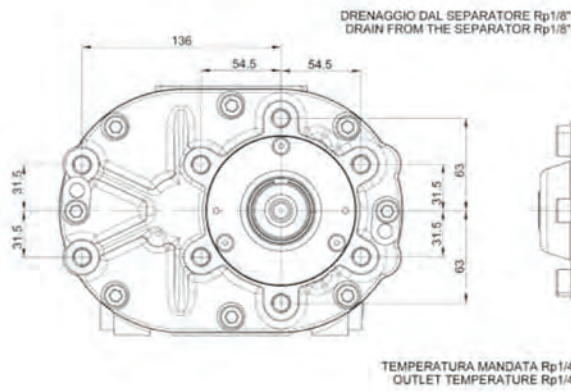
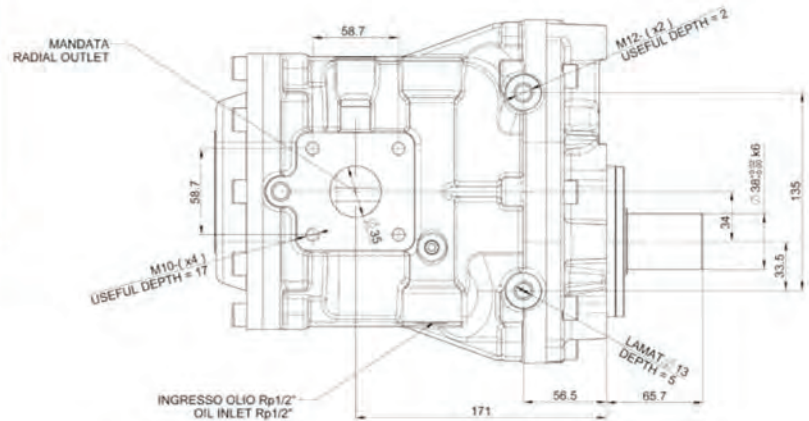
TEMPERATURA MANDATA Rp1/4"
OUTLET TEMPERATURE Rp1/4"

Code (1 pc)	#5303000110
Code (24 pcs)	#5303000120
Power range	5.5 - 15 kW
Rotor speed	1400 - 5300 r.p.m. (min. - max.)
Max. pressure	15 bar
Net Weight	15 kg

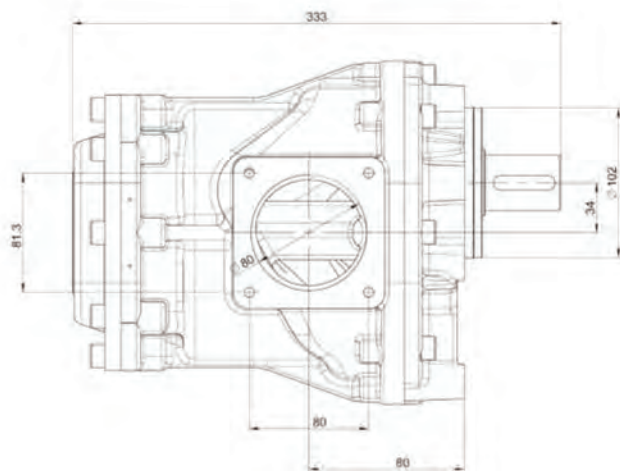


FS 50 TF

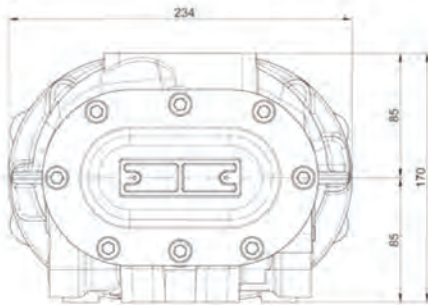
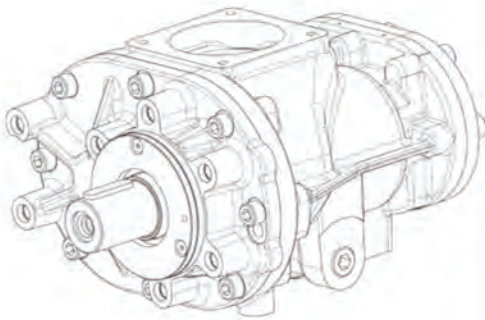
Air-end for direct coupling or belt-driven.



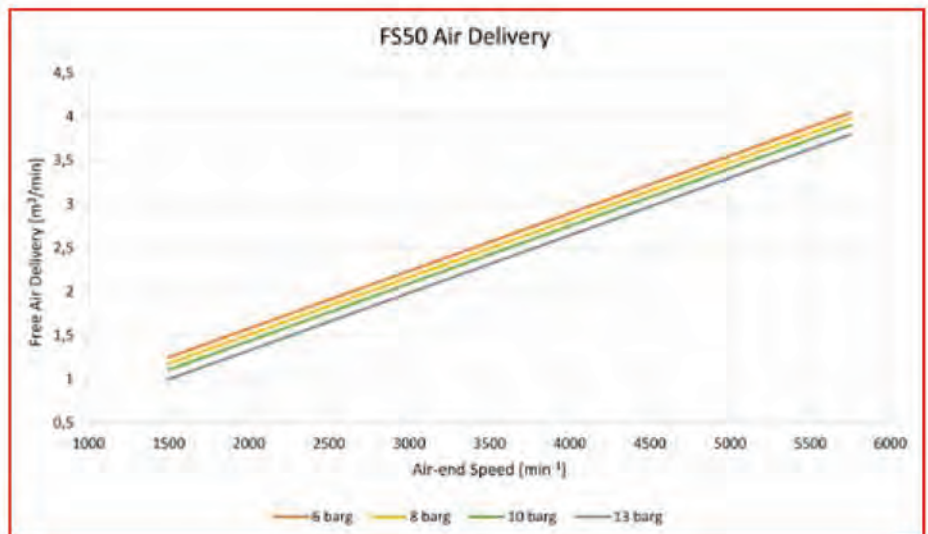
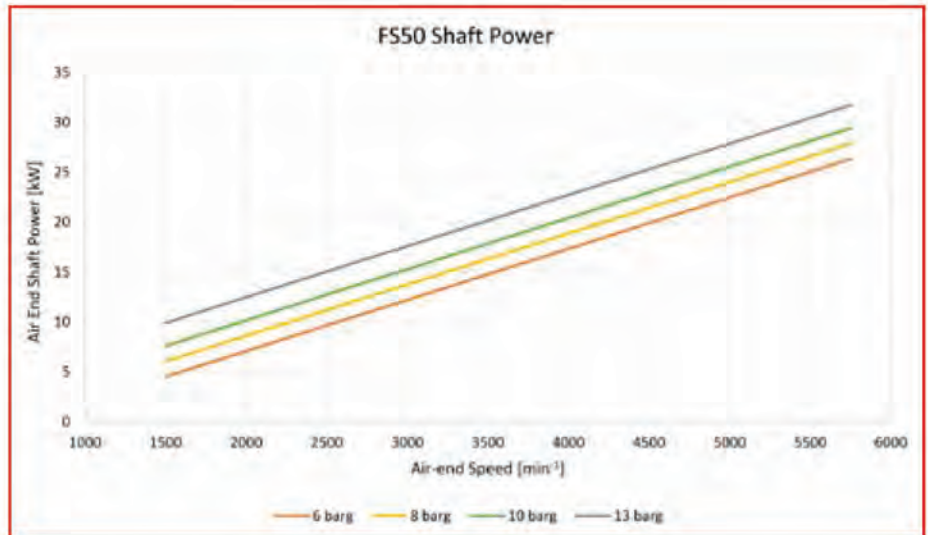
SEZIONE B-B



FS 50 TF

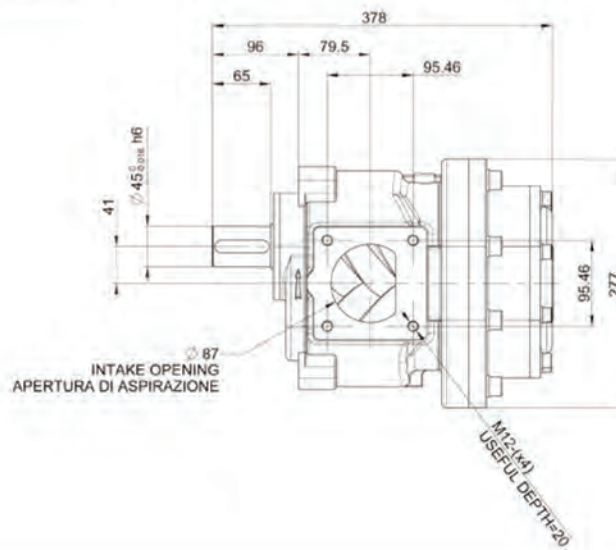
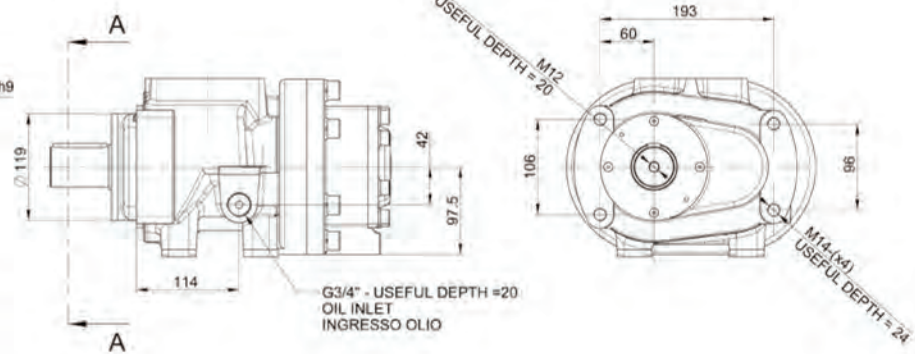
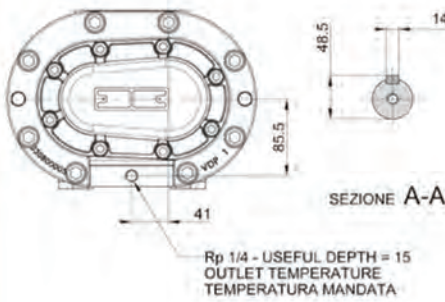
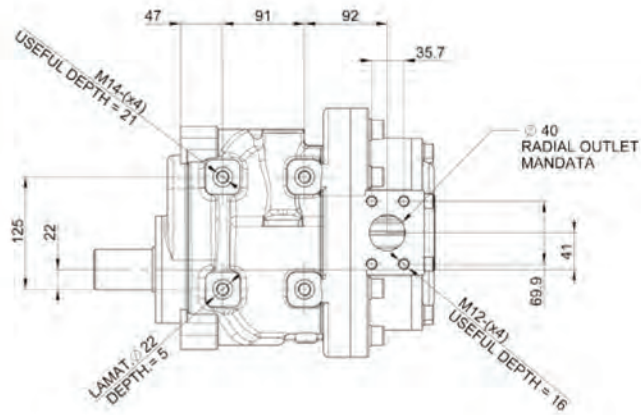


Code (1 pc)	#5304000110
Code (10 pcs)	#5304000120
Power range	11 - 30 kW
Rotor speed	2,100 - 5,300 r.p.m. (min. - max.)
Max. pressure	15 bar
Net Weight	36 kg



FS 100

Air-end for direct coupling or belt-driven.



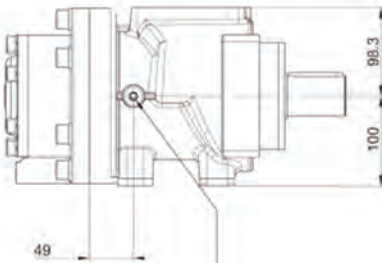
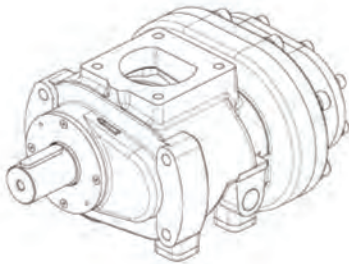
FS 100

TRYCOMP
Heavy Duty

Fini
COMPRESSORS

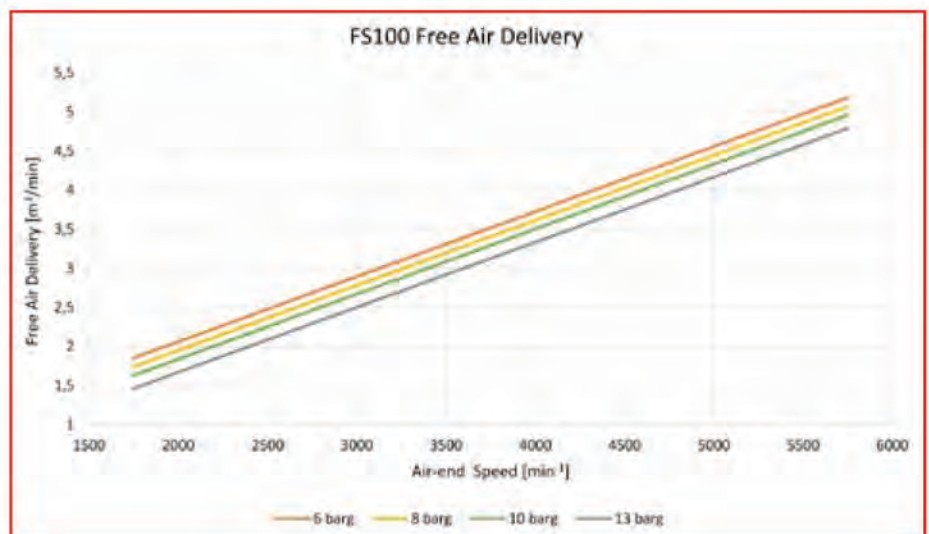
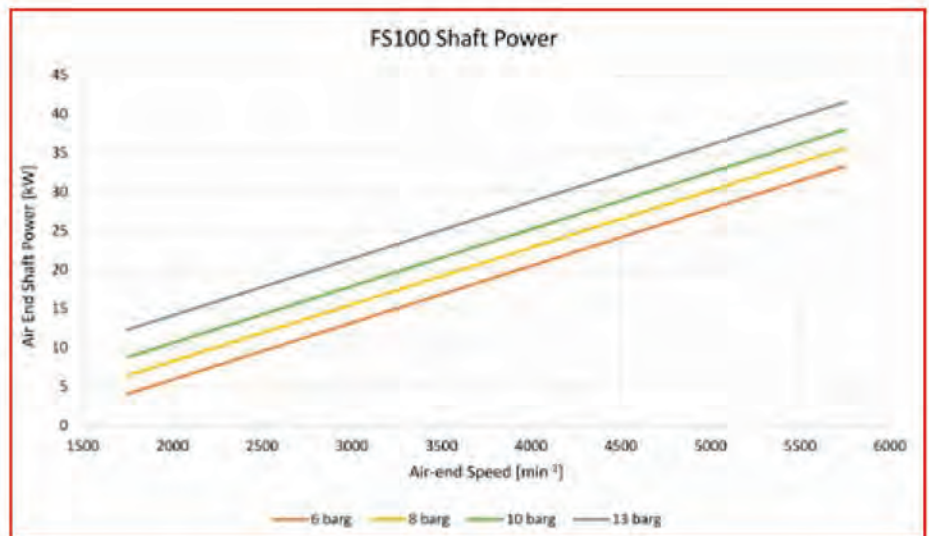
FSN
ORIGINAL SPARE PARTS

shamal



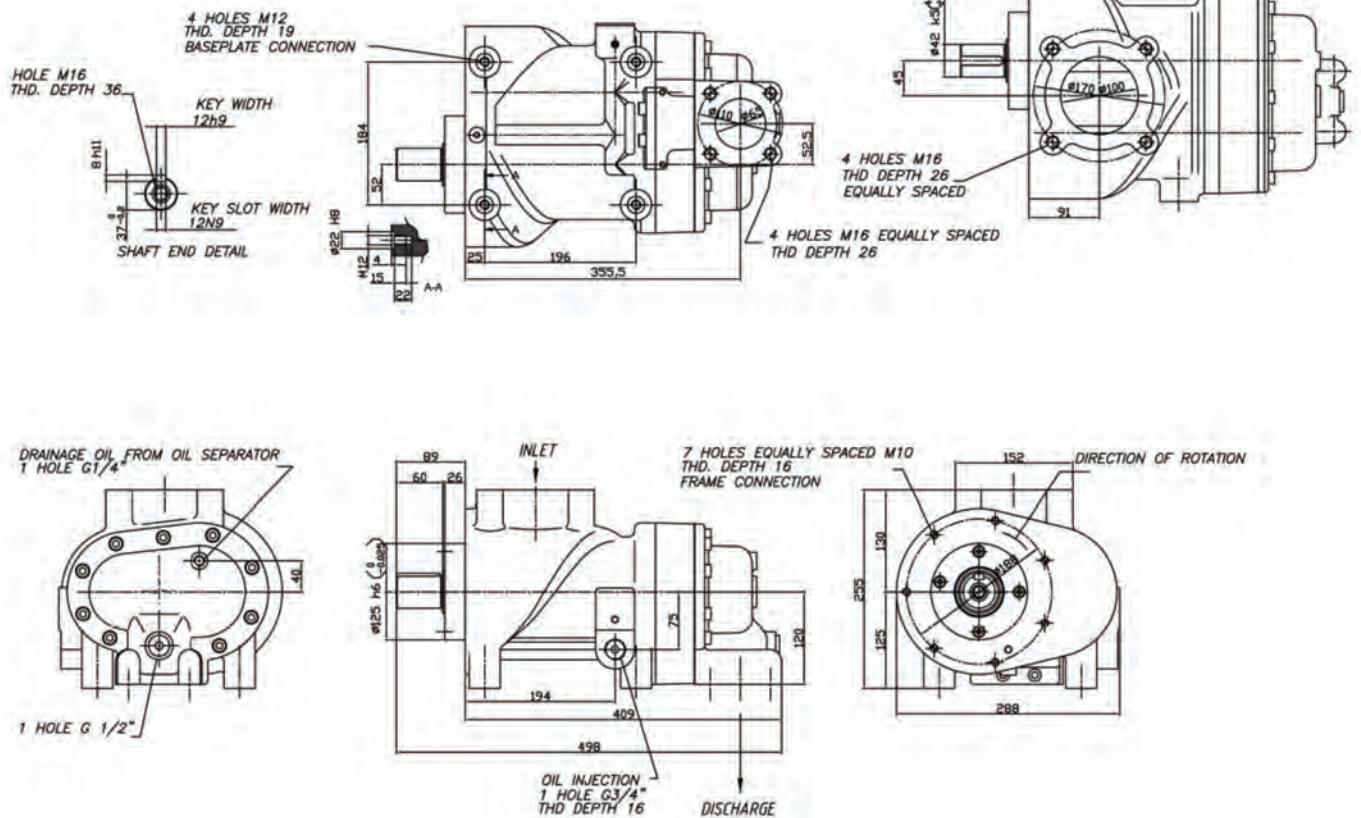
G1/8" - USEFUL DEPTH = 10
DRAIN FROM THE SEPARATOR
DRENAGGIO DAL SEPARATORE

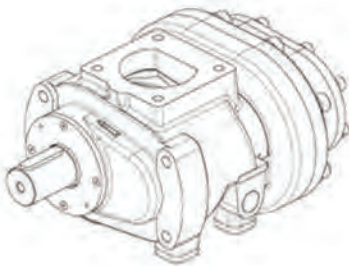
Code	#5308000110
Power range	22 - 37 kW
Rotor speed	2,500 - 6,500 r.p.m. (min. - max.)
Max. pressure	15 bar
Net Weight	57 kg



FS 130

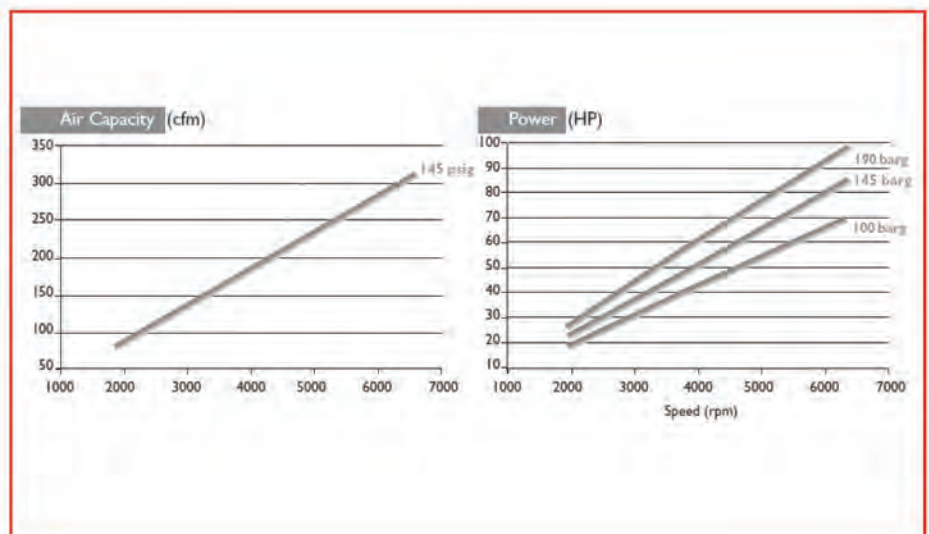
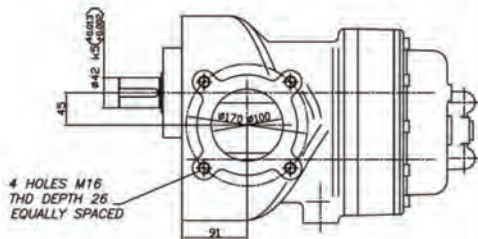
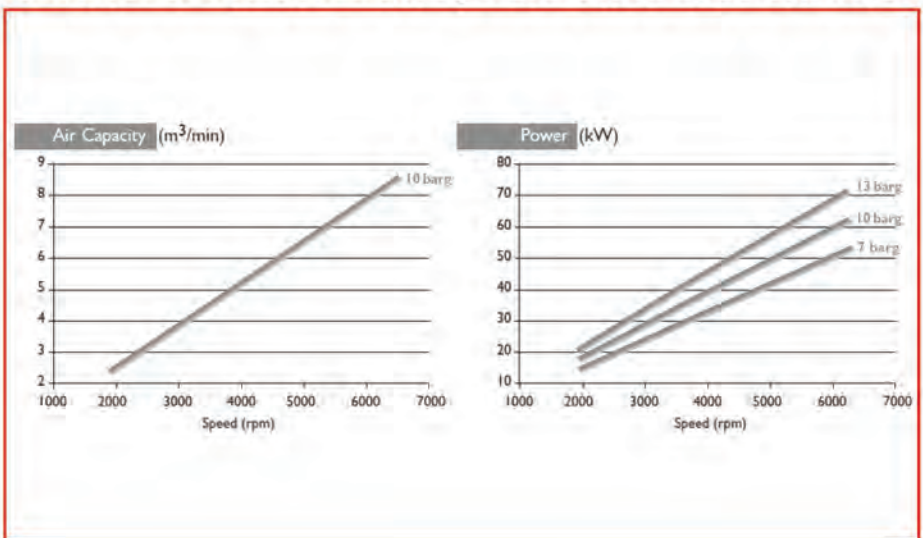
Air-end for direct coupling or belt-driven.





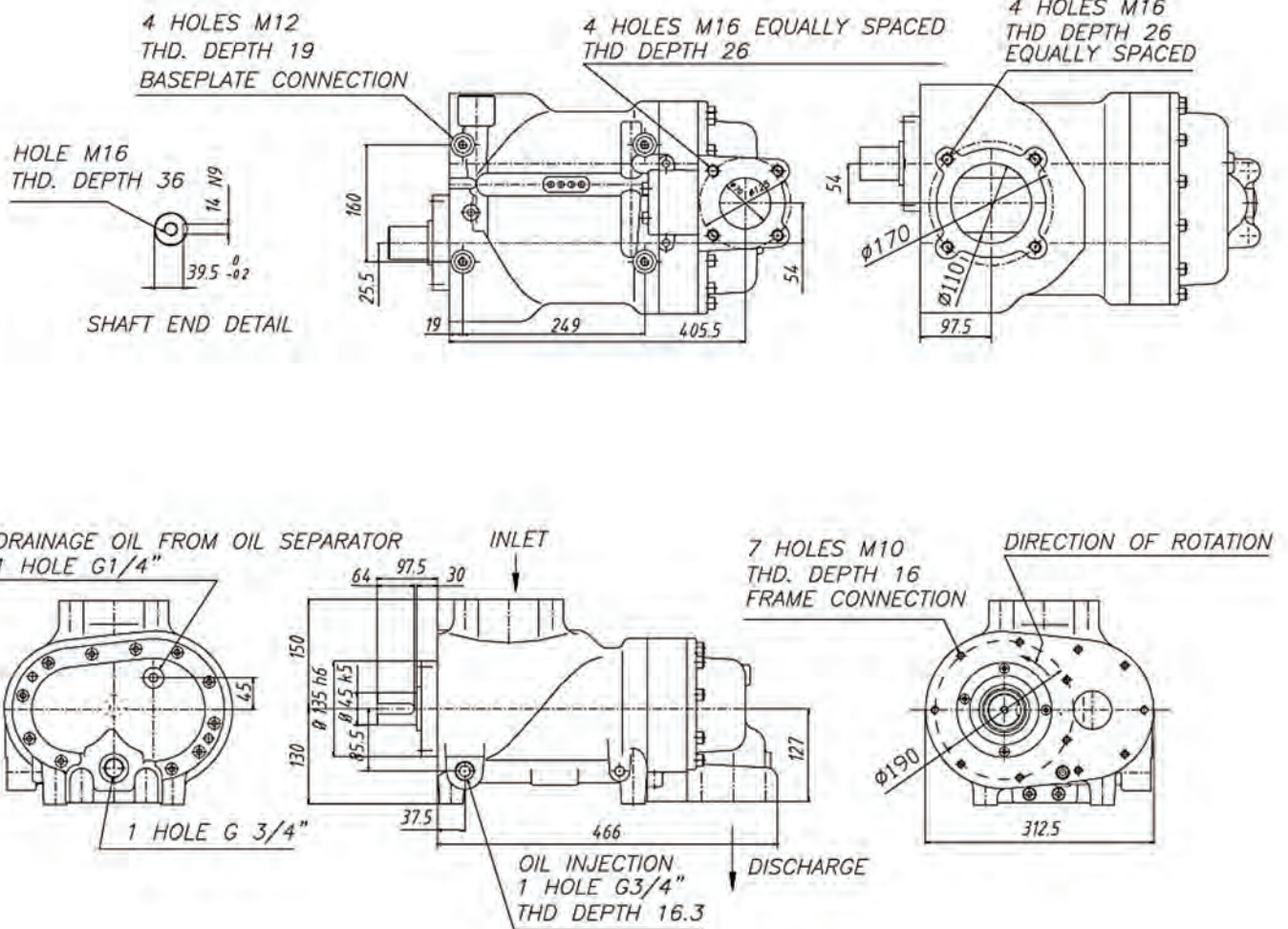
Code	#5307400000SGL GR.VITE FS130
Power range	37 - 55 kW
Rotor speed	126.2 [mm] 1932 – 6489 [rpm]
Max. pressure	15 bar
Net Weight	74 kg

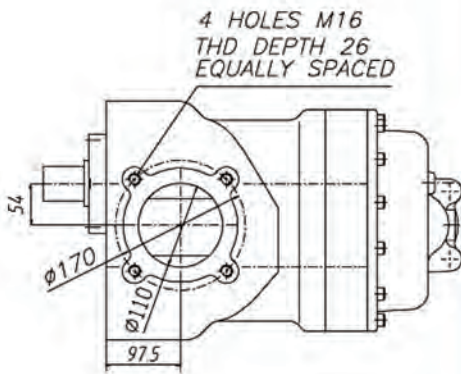
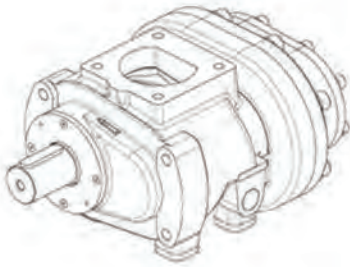
GRAFICI DI PRESTAZIONE / PERFORMANCE CHARTS



FS 240

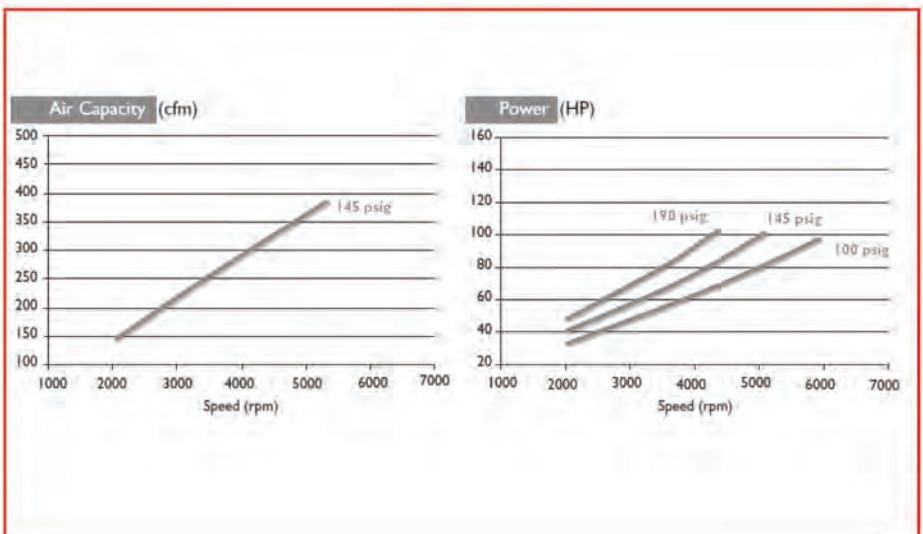
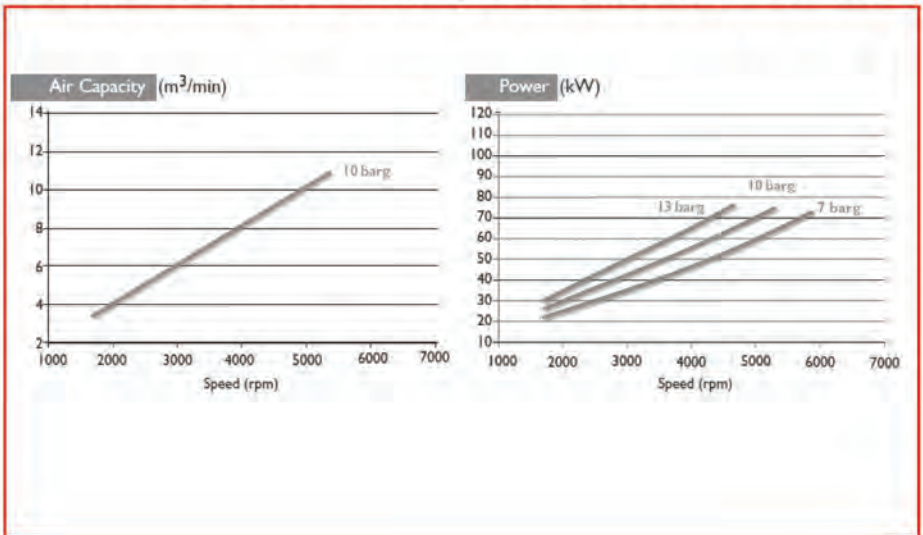
Air-end for direct coupling or belt-driven.





Code	#5307200000SGL GR.VITE FS240
Power range	45 - 90 kW
Rotor speed	147.3 [mm] 1691 – 6554 [rpm]
Max. pressure	15 bar
Net Weight	108 kg

GRAFICI DI PRESTAZIONE / PERFORMANCE CHARTS



0,55÷2,2 kW



OL 1850



OL 232



OL 55-75



MK 160



VKM 320

Codice Code	Prodotto Product	Poles	Volts/Ph	kW	HP	l/min.	m ³ /h	c.f.m.	bar	p.s.i.	R.P.M.	n°	n°	L x D x H (cm)	kg	Lbs
MONOFASE SENZA OLIO OILLESS SINGLE-PHASE EINPHASIG ÖLFREI																
XB00000	OL 55 - 0,75M	4	230/1	0,55	0,75	118	7	4,2	8	116	1420	1	2	31 x 20 x 26	10	22
XC00000	OL 75 - 1M	4	230/1	0,75	1	155	9,2	5,5	8	116	1420	1	2	31 x 20 x 26	11	24,2
41P0001SGL	OL 1850 - 1,5M	2	230/1	1,1	1,5	179	10,7	6,3	8	116	2850	1	1	31 x 20 x 26	7	16,5
41P0030SGL	OL 232 - 2M	2	230/1	1,5	2	218	13,0	7,7	8	116	2850	1	1	35 x 19 x 25	11	24,3
QT00000	MK 160 - 1,5M	4	230/1	1,1	1,5	152	9,1	5,4	10	145	1420	1	1	36 x 21 x 32	14,5	32
QU00000	VKM 320 - 3M	4	230/1	2,2	3	320	19,2	11,3	10	145	1420	2-V	1	44 x 42,5 x 33	20	44,1
QUS0000	VKM 320 - 3	4	230-400/3	2,2	3	320	19,2	11,3	10	145	1420	2-V	1	44 x 42,5 x 33	20	44,1



TOP23

TOP25

TOP27

TOP310

TOP315

TOP320

Codice Code	Volts/Ph	kW	HP	l/min.	m ³ /h	c.f.m.	bar	p.s.i.	R.P.M.	n°	n°	L x D x H (cm)	kg	Lbs
MONOSTADIO SINGLE-STAGE EINSTUFIG														
Top 23	-	2,2 kw	(3 HP)	250	lit/min		8 bar		700	1	2	45 x 28 x 33 cm	35	kg
Top 25	-	3,75 kw	(3 HP)	360	lit/min		8 bar		700	1	2	52 x 33 x 38 cm	40	kg
Top 27	-	5,5 kw	(7.5 HP)	360	lit/min		8 bar		700	1	2	60 x 45 x 40 cm	60	kg
Top 310	-	7,5 kw	(10 HP)	900	lit/min		8 bar		750	1	3	70 x 40 x 48 cm	66	kg
Top 315	-	11 kw	(15 HP)	1000	lit/min		8 bar		750	1	3	70 x 40 x 52 cm	70	kg
Top 320	-	15 kw	(20 HP)	1200	lit/min		8 bar		750	1	3	70 x 60 x 50 cm	100	kg
Top 325	-	18.75kw	(25 HP)	1800	lit/min		8 bar		750	1	3	70 x 60 x 50 cm	100	kg



BK 114



BK 119



BK 120



BKV 30-50

GRUPPI POMPANTI TRAINO CINGHIA LUBRIFICATI
LUBRICATED BELT-DRIVEN COMPRESSOR PUMPS
KEILRIEMENGETRIEBENE KOMPRESSORAGGREGATE ÖLGESCHMIERT

1,5-15 kW



MK 102/N



MK 102



MK 103



MK 113



BK 113

Codice Code	Prodotto Product								
		Volt/Ph	kW HP	l/min. m³/h c.f.m.	bar p.s.i.	R.P.M.	cc	L x D x H (cm)	kg lbs
MONOSTADIO SINGLE-STAGE EINSTUFIG									
41P0018SGL	MK 102/N	-	1,5 2	215 12,9 7,6	10 145	1375	2	27 x 26 x 27	9 19,8
41P0017SGL	MK 102	-	1,5 2	235 14,1 8,3	10 145	1040	2	27 x 26 x 28	9 19,8
41P0019SGL	MK 103	-	2,2 3	365 21,9 12,9	10 145	1370	2	27 x 26 x 30	9,5 20,9
41P0028SGL	MK 113	-	4 5,5	556 33,3 19,6	10 145	1300	2	31 x 30 x 37	18,3 40,3
BISTADIO DOUBLE-STAGE ZWEISTUFIG									
BU0000A	BK 113	-	3 4	430 25,8 15,2	10 145	1310	2 2	30,5 x 31 x 38	19,6 43,2
BU0000D	BK 113-28bar	-	2,2 3	225 13,4 8	28 406	680	2 2	30,5 x 31 x 38	16 35,3
BZ0000A	BK 114	-	4 5,5	585 35,1 20,7	10 145	1370	2 2	35 x 40 x 43	32,5 71,6
BR0000A	BK 119	-	5,5 7,5	840 50,2 29,7	10 145	1250	2 2	36,5 x 40 x 46,5	34 74,9
BT0000A	BK 120	-	7,5 10	1080 64,7 38,2	10 145	1100	2 2	40 x 51 x 61,5	54,3 119,7
SN0000C	BKV 30	-	11 15	1745 104,7 61,5	11 160	1200	4V 2	83,6 x 58,6 x 77,6	100 220,5
SP0000C	BKV 50	-	15 20	2148 128,9 75,8	11 160	1000	4V 2	97,6 x 67,6 x 87,7	152 335

OLIO SYNTENERGY | SYNTENERGY OIL | SYNTENERGY ÖL

Oilio sintetico additivato, studiato dalla Fini in collaborazione con una nota casa produttrice di olii lubrificanti.
Vantaggi: riduzione del consumo, incremento della vita media, riduzione della carbonizzazione di oltre il 90%.
Disponibile in latte singole da 1 litro/1Kg o in confezione da 20 latte.

Semi-synthetic oil with additives exclusively studied in cooperation with a famous oil maker Company.
Advantages: reduction of oil consumption, higher life time, carbonization reduced more then 90%.
Available in 1 litre/1 kg can or in a 20-can package.

Teilsynthetisches Öl mit Additiven, welches exklusiv in Zusammenarbeit mit einem namhaften Öhersteller entwickelt wurde.
Vorteile: niedrigerer Ölverbrauch, längere Lebensdauer, Reduzierung der Ölkohleablagerungen um mehr als 90%.
1-Liter/1 kg Dose (20 Stück pro Karton). Verfügbar in 1 liter/1 kg Dose oder in Packungen mit 20 Dosen.

FILTRO ARIA A BAGNO D'OLIO | OIL BATH AIR FILTER | ÖLBADLUFTFILTER

Idoneo per applicazioni in luoghi polverosi. Utilizzabile su gruppi / BK 114-119-120. Fornito con accessori di fissaggio. Suitable for applications in dusty environment. For installation on BK 114- 119-120 compressor blocks. Supplied with mounting accessories.
Für den Einsatz unter staubigen Umgebungsbedingungen. Passend für BK 114-119-120. Inklusive Befestigungsmaterial.



Codice Code	Per prodotto For product	
#217071010	BK 114-119-120	8017750002958

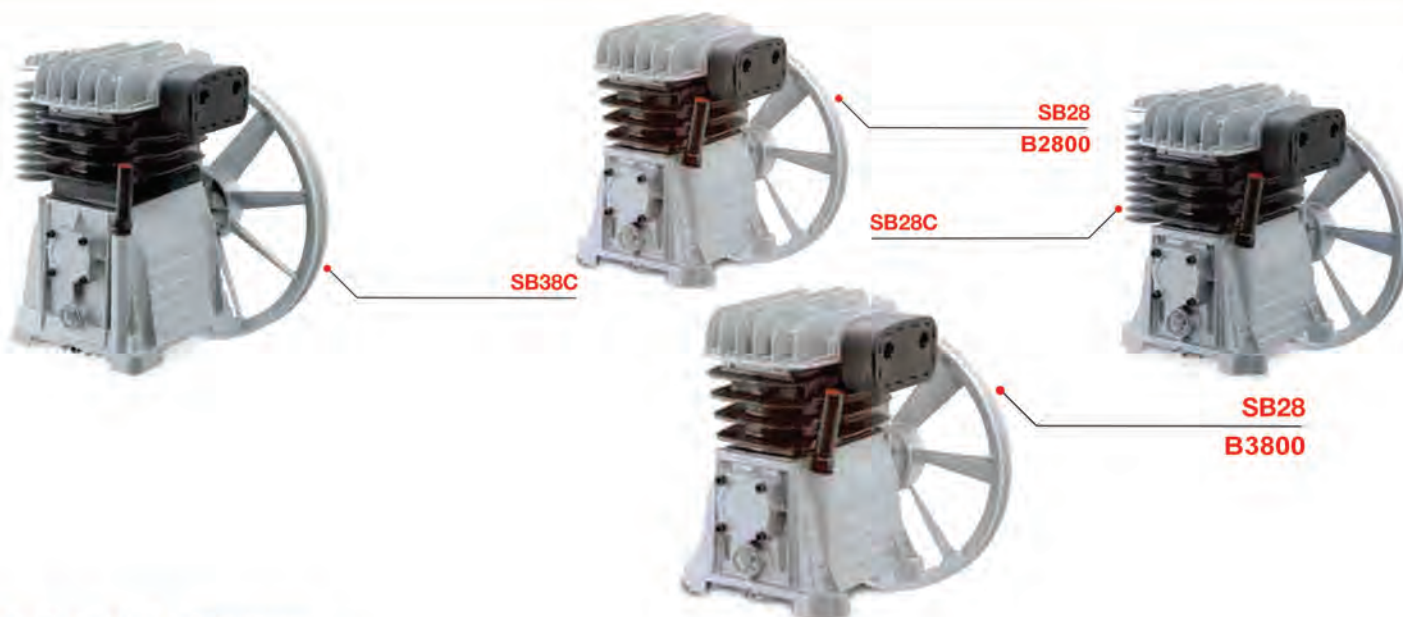


Codice Code	Prodotto Product	
#600000019	Latta 1 lt / Canister	8017750245485
#600000010	20 pcs - Latta 1 lt / Canister	8017750218816

PUMPS

Gruppi a cinghia monostadio
Belt driven single-stage pumps

ARNIKA
— COMPANY —



Dati tecnici | Technical data

Nome Name	Codice Code	Cilindri Cylinder n.	Stadi Stages	Volano Flywheel diametro - materiale diameter - material	Filtro Filter Tipo / Type	Collettore After cooler	Aria aspirata Air displac. l/min. / CFM	Potenza Power HP / kW	N° Giri RPM	Tensione freq. Voltage freq. Volt / Hz	Press. max. Max. press. bar / PSI
SB28/B2800	280000B	2	1	280 - AL	Rettangolare/Square	YES	330/11,6	3/2,2	1570	230/50	10/145
SB38/B3800	370000B	2	1	350 - AL	Rettangolare/Square	YES	480/16,9	4/3	1400	230/50	10/145



Dati tecnici | Technical data

Nome Name	Codice Code	Cilindri Cylinder n.	Stadi Stages	Volano Flywheel diametro - materiale diameter - material	Filtro Filter Tipo / Type	Collettore After cooler	Aria aspirata Air displac. l/min. / CFM	Potenza Power HP / kW	N° Giri RPM	Press. max. Max. press. bar / PSI
K3	SA0000A	1	1	280 - AL	Rotondo/Round	NO	128/4,52	1/0,75	1450	8/116
K8	SB0000A	1	1	280 - AL	Rotondo/Round	NO	207/7,3	1,5/1,1	1400	8/116
K11	SC0000A	2	1	280 - AL	Rotondo/Round	NO	260/9,2	2/1,5	1180	8/116
K11C	SC0000B	2	1	280 - AL	Rotondo/Round	YES	332/11,7	3/2,2	1500	8/116

PUMPS

Gruppi a cinghia monostadio
Belt driven single-stage pumps

TRYCOMP
Heavy Duty

Fini
COMPRESSORS

FSN
ORIGINAL SPARE PARTS

shamal

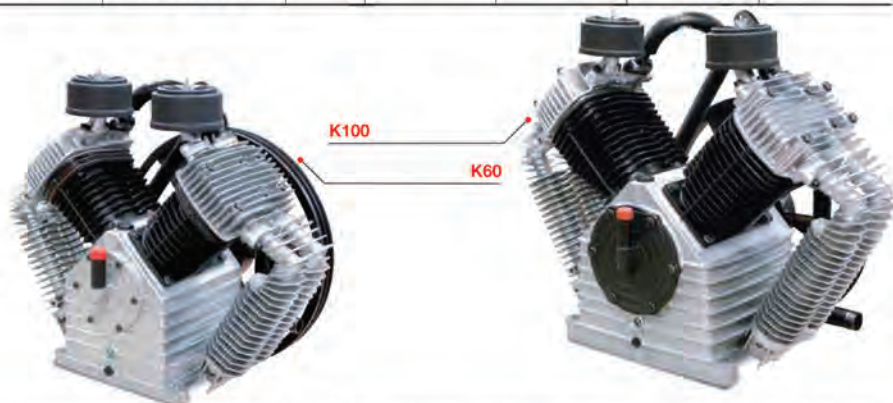


Dati tecnici | Technical data

Nome Name	Codice Code	Cilindri Cylinder n.	Stadi Stages	Volano Flywheel	Filtro Filter	Collettore After cooler	Aria aspirata Air displac.	Potenza Power	N° Giri RPM	Press. max. Max. press.
				diametro - materiale diameter - material	Tipo / Type		l/min. / CFM	HP / kW		bar / PSI
K17	SD0000A	2	1	320 - AL	Rotondo/Round	NO	321/11,3	3/2,2	1000	10/145
K17C	SD0000B	2	1	320 - AL	Rotondo/Round	YES	465/16,4	4/3	1450	10/145
K18C	SE0000B	2	1	320 - AL	Rotondo/Round	YES	539/19	5,5/4	1400	10/145
K25	SG0000A	2	2	385 - AL	Rotondo su gomito 90° Round up elbow 90°	YES	520/18,4	4/3	1260	11/160
K28	SH0000A	2	2	385 - AL	Esagonale / Hexagonal	YES	662/23,4	5,5/4	1290	11/160
K30	SL0000A	2	2	400 - GH	Rotondo su gomito 90° Round up elbow 90°	YES	872/31	7,5/5,5	1150	11/160
K50	SM0000A	2	2	550 - GH	Rotondo su gomito 45° Round up elbow 45°	YES	1240/43,8	10/7,5	1150	11/160

PUMPS

Gruppi a cinghia bistadio
Belt driven two-stage pumps



Dati tecnici | Technical data

Nome Name	Codice Code	Cilindri Cylinder n.	Stadi Stages	Volano Flywheel	Filtro Filter	Collettore After cooler	Aria aspirata Air displac.	Potenza Power	N° Giri RPM	Press. max. Max. press.
				diametro - materiale diameter - material	Tipo / Type		l/min. / CFM	HP / kW		bar / PSI
K60	SN0000A	4V	2	550 - GH	Rotondo su gomito 90° Round up elbow 90°	YES	1745/61,6	15/11	1190	11/160
K100	SP0000A	4V	2	550 - GH	Rotondo su gomito 45° Round up elbow 45°	YES	2148/75,8	20/15	1000	11/160

MADE IN ITALY



ARNIKA
— COMPANY —

TRYCOMP
Heavy Duty

WWW.ARNIKACO.COM
info@arnikaco.com

